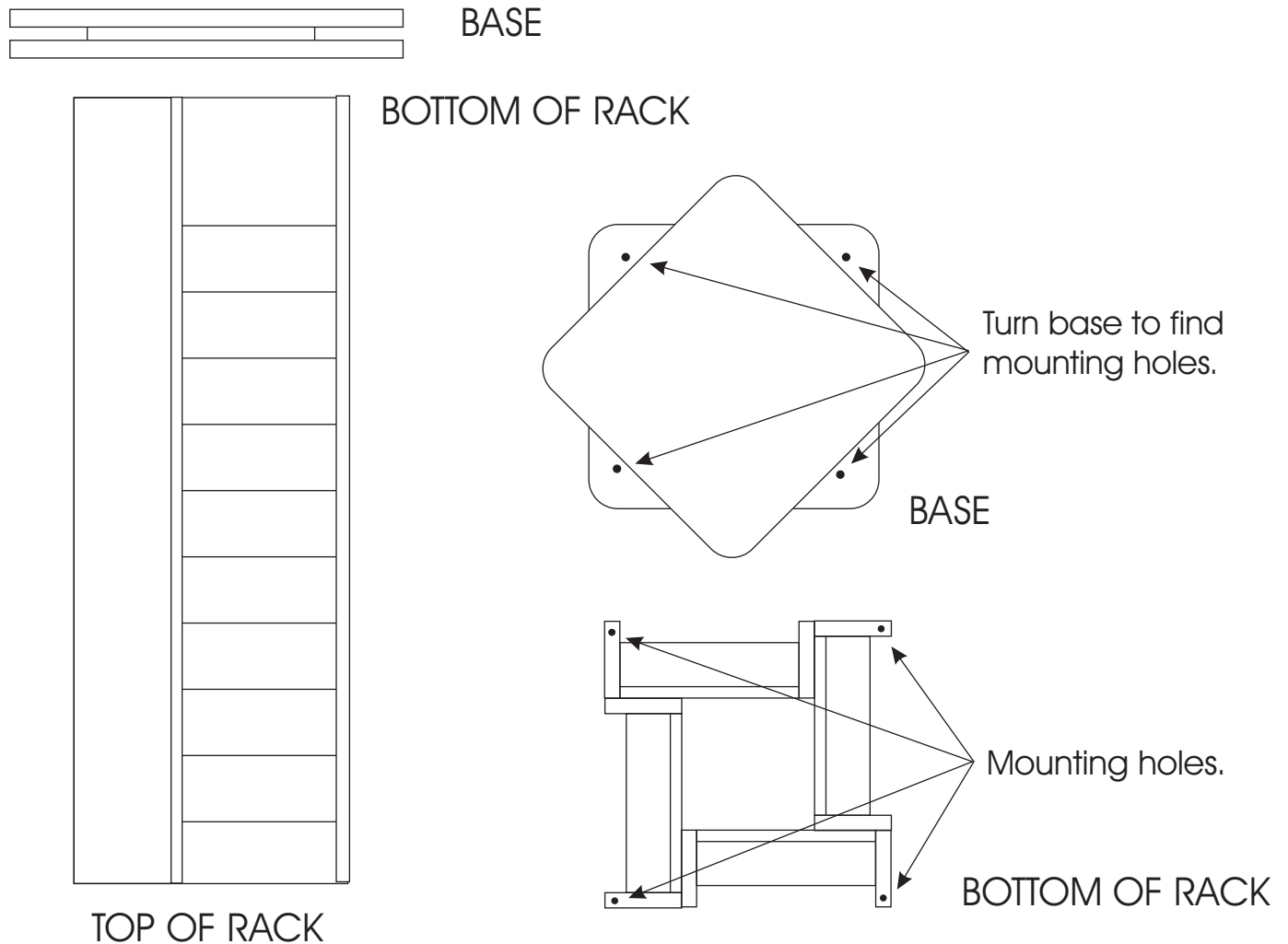


# MR-4OSP

This rack ships in two separate containers. Sometimes they get split up in shipment. If you only received one box, please allow another day for the second box to arrive.



1. Place rack upside down on padded floor.
2. Place base on upside down rack with wood grain facing rack.
3. Align holes in base with holes in bottom of rack.
4. Start screws by turning only 1 turn each until all 4 screws are started. Make sure screws are started in pre-drilled holes or sides will crack.
5. Tighten all 4 screws until snug. (Do not over tighten.)
6. Carefully turn rack right side up and fill with your favorite magazines.

If you are having difficulty with assembling this rack please call 605-225-5081